



# Fortress Stability 3-Section Treatment Table

WHITE FRAME / NAVY UPHOLESTRY / FULLY ELECTRIC / HAND CONTROL

1003U-65WN-E



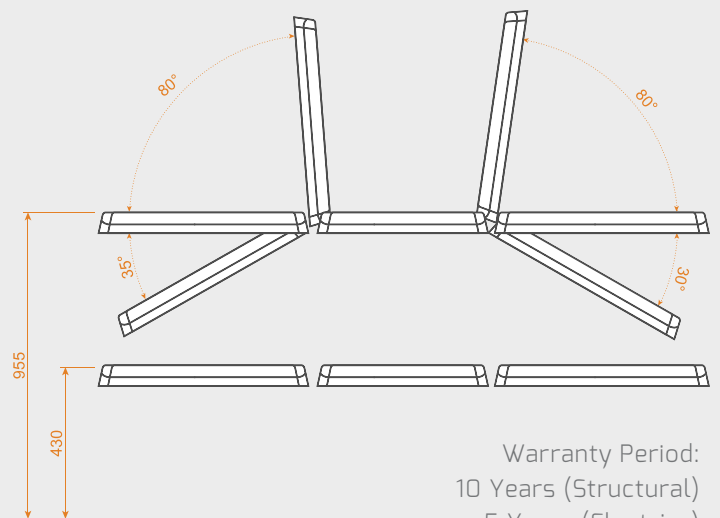
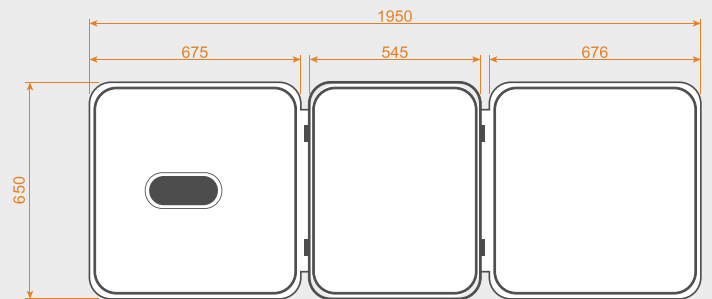
## UPHOLSTERY COLOURS

	BLACK		GREY
	DARK GREY		GREEN
	CARAMEL		PINK
	NAVY		BURGANDY

## FEATURES

- Electric Hi-Lo, electric backrest and electric footrest
- Retractable heavy duty castors
- Levelling Feet
- Low Height: 43cm
- Weight Capacity: 255kgs
- German Motors
- Angled legs ensure ultimate stability during manipulations
- 'True' dual backrest design allows the legrest to be raised into a backrest position
- Attractive and professional finish enhances your treatment area
- Side brackets for attaching exercise products and stabilising belts
- Various upholstery colours available

## TABLE ARTICULATIONS



Warranty Period:  
10 Years (Structural)  
5 Years (Electrics)



Call Astir today on **1300 680 638**



visit [www.astiraustralia.com.au](http://www.astiraustralia.com.au)



Fax your order to **1300 669 733**



email [sales@astiraustralia.com.au](mailto:sales@astiraustralia.com.au)

